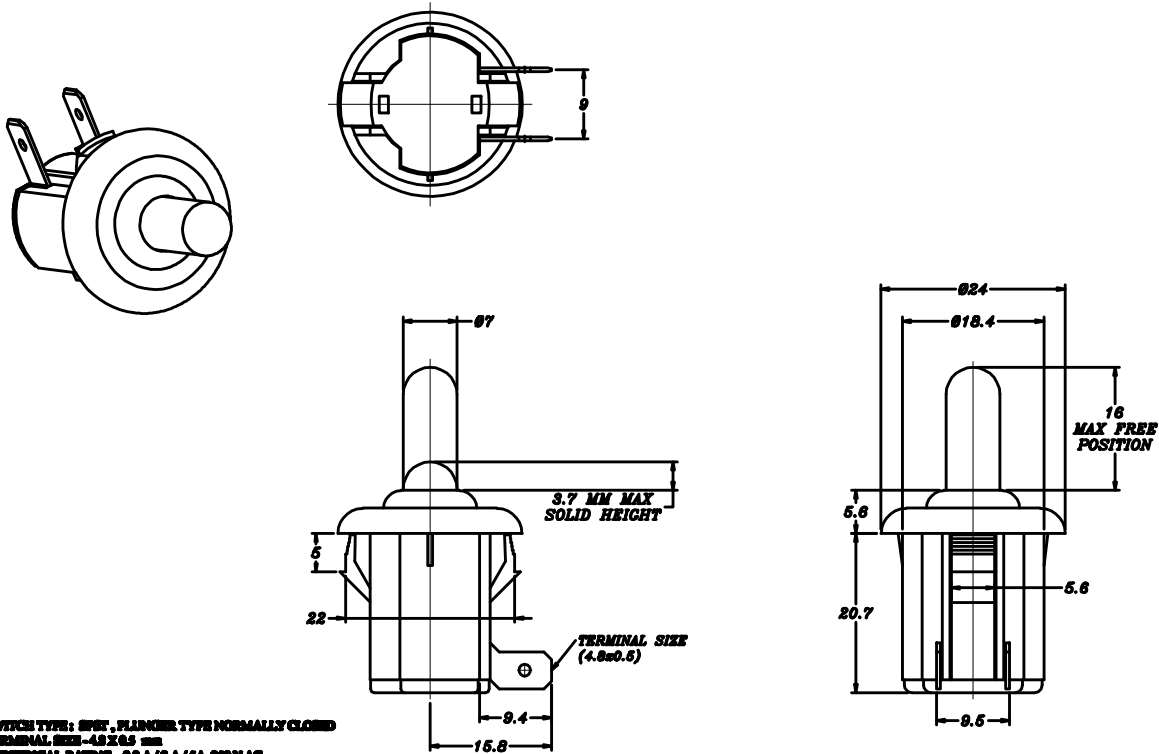


REVNO.	REASON FOR REV	DATE	BY	CHECKED
0				



**NOTES:**

- (A) SWITCH TYPE: SPST, PLUNGER TYPE NORMALLY CLOSED
- (B) TERMINAL SIZE: 4.8 X 0.5 mm
- (C) ELECTRICAL RATING: 6.3 A / 2 A / 250 VAC
- (D) PANEL CUT OUT: 19 mm.
- (E) PLUNGER POSITION: MAX: 16 mm  
MIN: 3.7 mm SOLID HEIGHT
- (F) SWITCH MATERIAL: NYLON 66  
COLORS AVAILABLE: BLACK, WHITE, GRAY

NOTE:--ALL DIMENSION IN MM

TITLE:-- NDS 01- DOOR SWITCH  
(plunger type)



**NANOLECTRIC CONTROLS**

Get No.245,246,247,248/1,3b.  
Kharabwadi, Chakan-410501  
www.nanolectric.com

UNSPECIFIED TOLERANCES ±0.2

S.NO.	DESCRIPTION	SIZE	QTY	MATERIAL	REMARKS
	SCALE 1:1	DATE			28/04/09
		DRAWN			AMEYA
		CHECKED			SACHIN
		APPROVED			

MATERIAL:--  
DRG.NO :- NDS-01/AS/ 001/REV.00