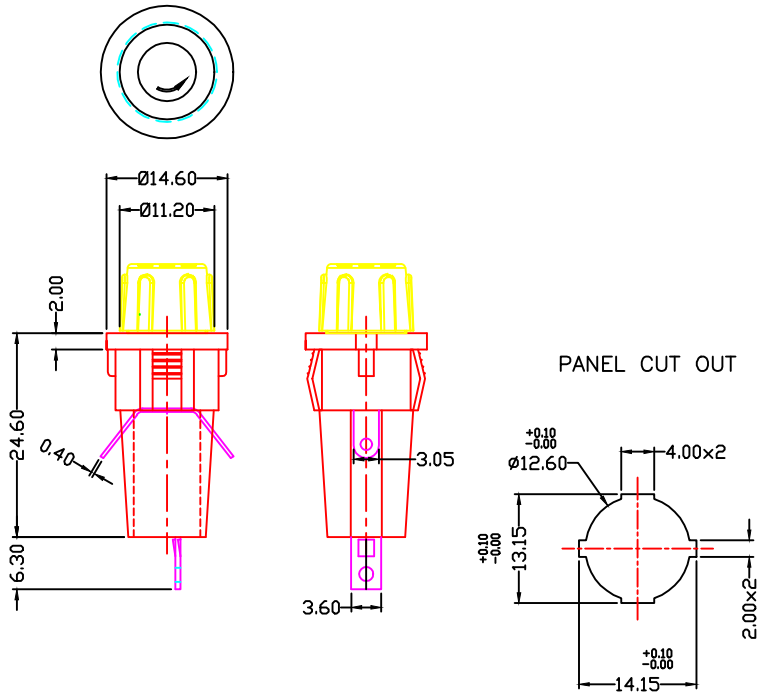


FUSE HOLDER

NAMOLECTRIC CONTROLS

SERIES : FH1-A



Note: All Dimension are in mm

TECHNICAL SPECIFICATION :

PARAMETERS	SERIES	FH1-S
Mounting style		Panel,Snap-In
Permissible Temp.with/Without load		-20°C TO 70°C
Permissible Temp. for Soldering		270° for 5 seconds max.
Panel Thickness(Max.)		2mm max.
Material:		Polyamide G.F
Insulation Resistance		1000 M Ohms min.
H.V. Break Down		2KV/AC For 1 Minute
Current Carrying Parts		Brass,Tin Plated
contact Resistance(Initial)		10 m Ohms max.
Cap Design		Screw-In
App.Weight(gm)		4.5
Fuse Link Size		5x20 mm
Rated Current/Voltage		6.3 Amps/250V AC
Terminals		Solder type