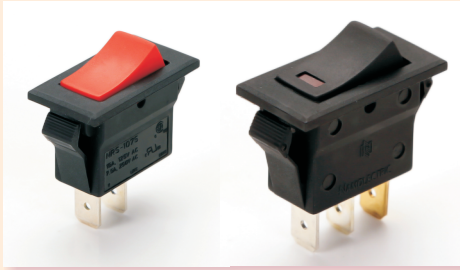


Rocker Switch NRS 1075 Series



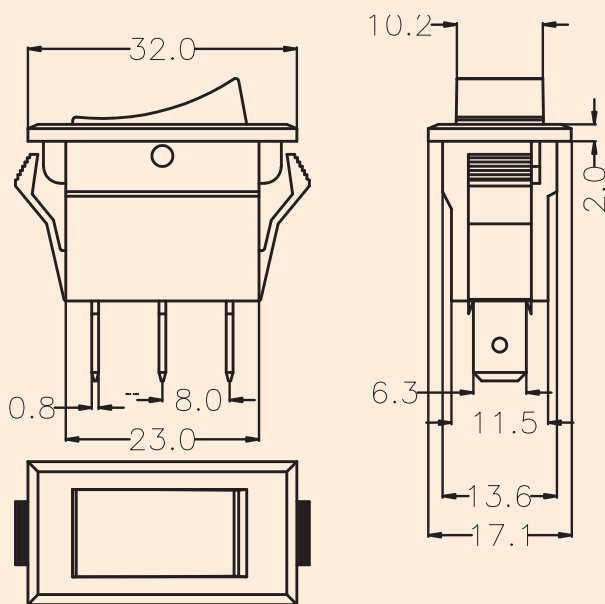
MATERIALS

- Housing : Polyamide (Nylon 66)
- Rocker : Polyamide / Polycarbonate
- Contacts : Silver alloy / Cu alloy
- Terminal : Cu Alloy Silver / Tin plated
- Lamp : LED
- Movable Arm : Cu Alloy, Silver/ Tin Plated

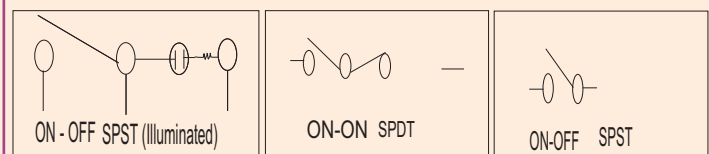
TECHNICAL INFORMATION

- Electrical Rating : 16A/7.5A/ 250V AC,20A/9A 125VAC(UL) 12V/24V DC
- Degree of protect: Ip 40
- Mechanical life: Over 30000 cycles
- Electrical life: Over 10000 cycles
- Contact resistance: <10m ohm
- Insulation resistance: >20M ohm
- High voltage resistance: >1500V 1 min.
- Ambient temperature: -20°C to +85°C
- Atmospheric humidity: Max.85%
- Temperature rise at the terminal: Max 30°C (UL1054)
- Solder ability of terminal: Max 350°C,3s

DIMENSIONS



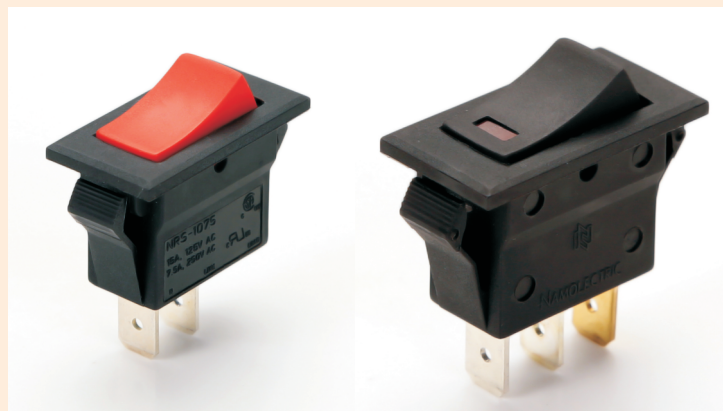
CIRCUIT DIAGRAM



- Current rating : 16A/7.5A/ 250V AC,20A/9A 125VAC(UL) 12V/24V DC
- Function : S1 (SPST), D1 (SPDT)
- Type : IL (Illuminated) / NI (Non Illuminated)
- Cut out Size : 13.6 mm X 29.8 mm

PANEL CUT OUT

Panel Thickness z (mm)	X (mm)	Y (mm)
0.70~1.25	13.60	29.8
1.25~2.00	13.60	30.00
2.00~3.00	13.60	30.20



NRS 1075